

## 3.2 Wiring of Motor Cables Between Servo Drive and Servo Motor

Figure 3-10 Example of connecting servo drive and servo motor

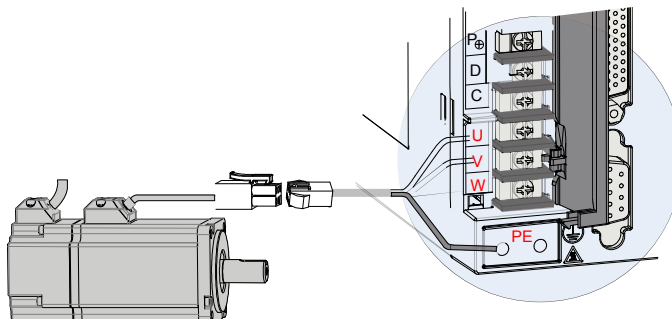
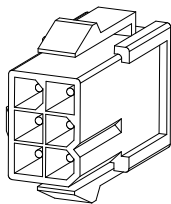
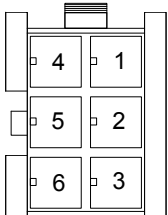
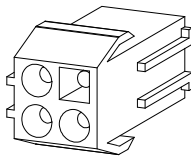
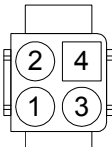


Table 3-11 Connectors of cables on servo motor side

Connector Appearance	Pin Layout	Frame Size of Matching Motor																				
	<p>Black 6-pin connector</p>  <table border="1"> <thead> <tr> <th>Pin No.</th> <th>Signal</th> <th>Color</th> </tr> </thead> <tbody> <tr> <td>1</td> <td>U</td> <td>White</td> </tr> <tr> <td>2</td> <td>V</td> <td>Black</td> </tr> <tr> <td>4</td> <td>W</td> <td>Red</td> </tr> <tr> <td>5</td> <td>PE</td> <td>Yellow/Green</td> </tr> <tr> <td>3</td> <td rowspan="2">Brake (regardless of positive or negative)</td> <td></td> </tr> <tr> <td>6</td> <td></td> </tr> </tbody> </table> <p>Recommendation: Plastic housing: MOLEX-50361736 Terminal: MOLEX-39000061</p>	Pin No.	Signal	Color	1	U	White	2	V	Black	4	W	Red	5	PE	Yellow/Green	3	Brake (regardless of positive or negative)		6		<p>40 (Z series) 60 (Z series) 80 (Z series)</p>
Pin No.	Signal	Color																				
1	U	White																				
2	V	Black																				
4	W	Red																				
5	PE	Yellow/Green																				
3	Brake (regardless of positive or negative)																					
6																						
	<p>4-pin connector</p>  <table border="1"> <thead> <tr> <th>Pin No.</th> <th>Signal</th> <th>Color</th> </tr> </thead> <tbody> <tr> <td>1</td> <td>U</td> <td>Blue</td> </tr> <tr> <td>2</td> <td>V</td> <td>Black</td> </tr> <tr> <td>3</td> <td>W</td> <td>Red</td> </tr> <tr> <td>4</td> <td>PE</td> <td>Yellow/Green</td> </tr> </tbody> </table> <p>Recommendation: Plastic housing: EL-4A (CWB) Terminal: 421.6003.0 (CWB)</p>	Pin No.	Signal	Color	1	U	Blue	2	V	Black	3	W	Red	4	PE	Yellow/Green	<p>40 (X series) 60 (X series) 80 (X series)</p>					
Pin No.	Signal	Color																				
1	U	Blue																				
2	V	Black																				
3	W	Red																				
4	PE	Yellow/Green																				